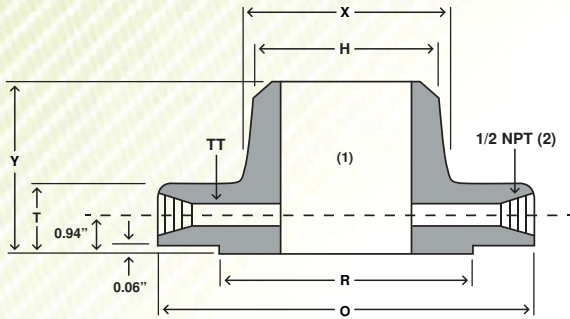


Welding Neck Orifice Class 300



| | | | | | | | | | Drilling | | | |
|----|----------|-------|-----------|----------|-------------|-----------|-------|----------------------------|-------------|----------|------------|----------|
| | Nom Size | OD | Thickness | OD of RF | Dia at Base | Dia Bevel | LTH | Dia of Pressure Connection | Bolt Circle | Hole Dia | # of Holes | Bolt Dia |
| | | O | T | R | X | H | Y | TT | | | | |
| in | 1 | 4.88 | 1.50 | 2.00 | 2.12 | 1.32 | 3.25 | 1/4 | 3.50 | 0.69 | 4 | 5/8 |
| mm | | 124.0 | 38.1 | 50.8 | 53.8 | 33.5 | 82.6 | 6.4 | 88.9 | 17.5 | | 15.9 |
| in | 1 1/2 | 6.12 | 1.50 | 2.88 | 2.75 | 1.90 | 3.38 | 1/4 | 4.50 | 0.81 | 4 | 3/4 |
| mm | | 155.4 | 38.1 | 73.2 | 69.9 | 48.3 | 85.9 | 6.4 | 114.3 | 20.6 | | 19.1 |
| in | 2 | 6.50 | 1.50 | 3.62 | 3.31 | 2.38 | 3.38 | 1/4 | 5.00 | 0.69 | 8 | 5/8 |
| mm | | 165.1 | 38.1 | 91.9 | 84.1 | 60.5 | 85.9 | 6.4 | 127.0 | 17.5 | | 15.9 |
| in | 2 1/2 | 7.50 | 1.50 | 4.12 | 3.94 | 2.88 | 3.50 | 1/4 | 5.88 | 0.81 | 8 | 3/4 |
| mm | | 190.5 | 38.1 | 104.6 | 100.1 | 73.2 | 88.9 | 6.4 | 149.4 | 20.6 | | 19.1 |
| in | 3 | 8.25 | 1.50 | 5.00 | 4.62 | 3.50 | 3.50 | 3/8 | 6.62 | 0.81 | 8 | 3/4 |
| mm | | 209.6 | 38.1 | 127.0 | 117.3 | 88.9 | 88.9 | 9.5 | 168.1 | 20.6 | | 19.1 |
| in | 4 | 10.00 | 1.50 | 6.19 | 5.75 | 4.50 | 3.62 | 1/2 | 7.88 | 0.81 | 8 | 3/4 |
| mm | | 254.0 | 38.1 | 157.2 | 146.1 | 114.3 | 91.9 | 12.7 | 200.2 | 20.6 | | 19.1 |
| in | 6 | 12.50 | 1.50 | 8.50 | 8.12 | 6.63 | 3.94 | 1/2 | 10.62 | 0.88 | 12 | 3/4 |
| mm | | 317.5 | 38.1 | 215.9 | 206.2 | 168.4 | 100.1 | 12.7 | 269.7 | 22.4 | | 19.1 |
| in | 8 | 15.00 | 1.62 | 10.62 | 10.25 | 8.63 | 4.38 | 1/2 | 13.00 | 1.00 | 12 | 7/8 |
| mm | | 381.0 | 41.1 | 269.7 | 260.4 | 219.2 | 111.3 | 12.7 | 330.2 | 25.4 | | 22.2 |
| in | 10 | 17.50 | 1.88 | 12.75 | 12.62 | 10.75 | 4.62 | 1/2 | 15.25 | 1.12 | 16 | 1 |
| mm | | 444.5 | 47.8 | 323.9 | 320.5 | 273.1 | 117.3 | 12.7 | 387.4 | 28.4 | | 25.4 |
| in | 12 | 20.50 | 2.00 | 15.00 | 14.75 | 12.75 | 5.12 | 1/2 | 17.75 | 1.25 | 16 | 1 1/8 |
| mm | | 520.7 | 50.8 | 381.0 | 374.7 | 323.9 | 130.0 | 12.7 | 450.9 | 31.8 | | 28.6 |
| in | 14 | 23.00 | 2.12 | 16.25 | 16.75 | 14.00 | 5.62 | 1/2 | 20.25 | 1.25 | 20 | 1 1/8 |
| mm | | 584.2 | 53.8 | 412.8 | 425.5 | 355.6 | 142.7 | 12.7 | 514.4 | 31.8 | | 28.6 |
| in | 16 | 25.50 | 2.25 | 18.50 | 19.00 | 16.00 | 5.75 | 1/2 | 22.50 | 1.38 | 20 | 1 1/4 |
| mm | | 647.7 | 57.2 | 469.9 | 482.6 | 406.4 | 146.1 | 12.7 | 571.5 | 35.1 | | 31.8 |
| in | 18 | 28.00 | 2.38 | 21.00 | 21.00 | 18.00 | 6.25 | 1/2 | 24.75 | 1.38 | 24 | 1 1/4 |
| mm | | 711.2 | 60.5 | 533.4 | 533.4 | 457.2 | 158.8 | 12.7 | 628.7 | 35.1 | | 31.8 |
| in | 20 | 30.50 | 2.50 | 23.00 | 23.12 | 20.00 | 6.38 | 1/2 | 27.00 | 1.38 | 24 | 1 1/4 |
| mm | | 774.7 | 63.5 | 584.2 | 587.2 | 508.0 | 162.1 | 12.7 | 685.8 | 35.1 | | 31.8 |
| in | 24 | 36.00 | 2.75 | 27.25 | 27.62 | 24.00 | 6.62 | 1/2 | 32.00 | 1.62 | 24 | 1 1/2 |
| mm | | 914.4 | 69.9 | 692.2 | 701.5 | 609.6 | 168.1 | 12.7 | 812.8 | 41.1 | | 38.1 |

NOTES: WELD NECK FLANGES NPS 3" AND SMALLER ARE IDENTICAL TO CLASS 600 FLANGES AND MAY BE SO MARKED

(1) Bore diameter to be specified by purchaser

(2) Other NPT and SW connections available upon request